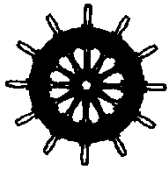
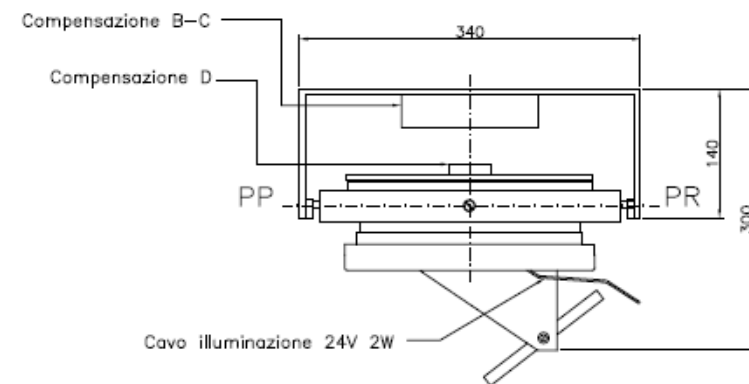
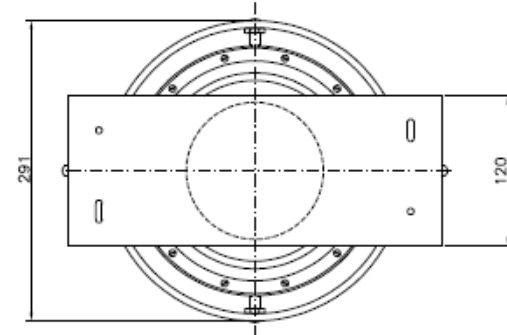


COMPASS MOD. 175/A (Overhead)



APPROVE



Liquid magnetic compass mod. 175/A devices for compensation B-C-D (set of magnetic bars), MED approved

